



\_\_\_\_\_ mm

Width of Mounting Plate



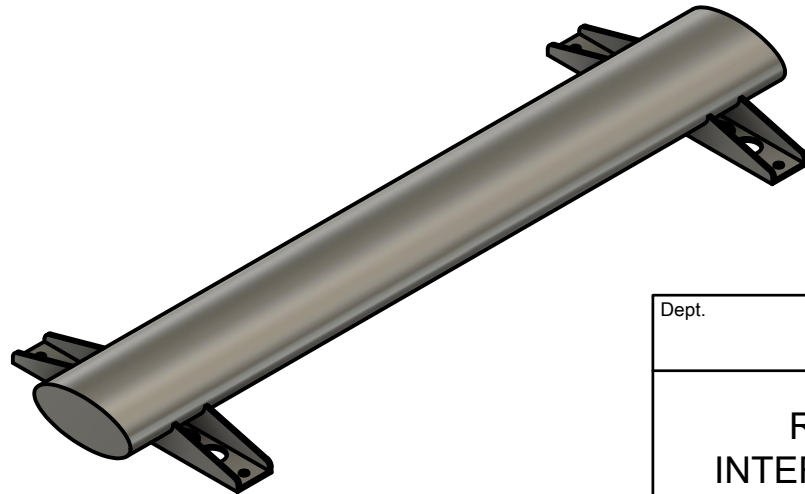
\_\_\_\_\_ mm

Length of Mounting Plate



\_\_\_\_\_ mm

Mounting plate hole Centre



Please entre your dimension to suit your rigger in space provided

Dept.	Technical reference	Created by <b>John Driessen 10/02/2020</b>	Approved by	
<b>ROWFIT INTERNATIONAL Quick Release Single Action</b>		Document type	Document status	
		Title <b>QRSA Dimensions</b>	DWG No.	
		Rev.	Date of issue	Sheet <b>1/1</b>