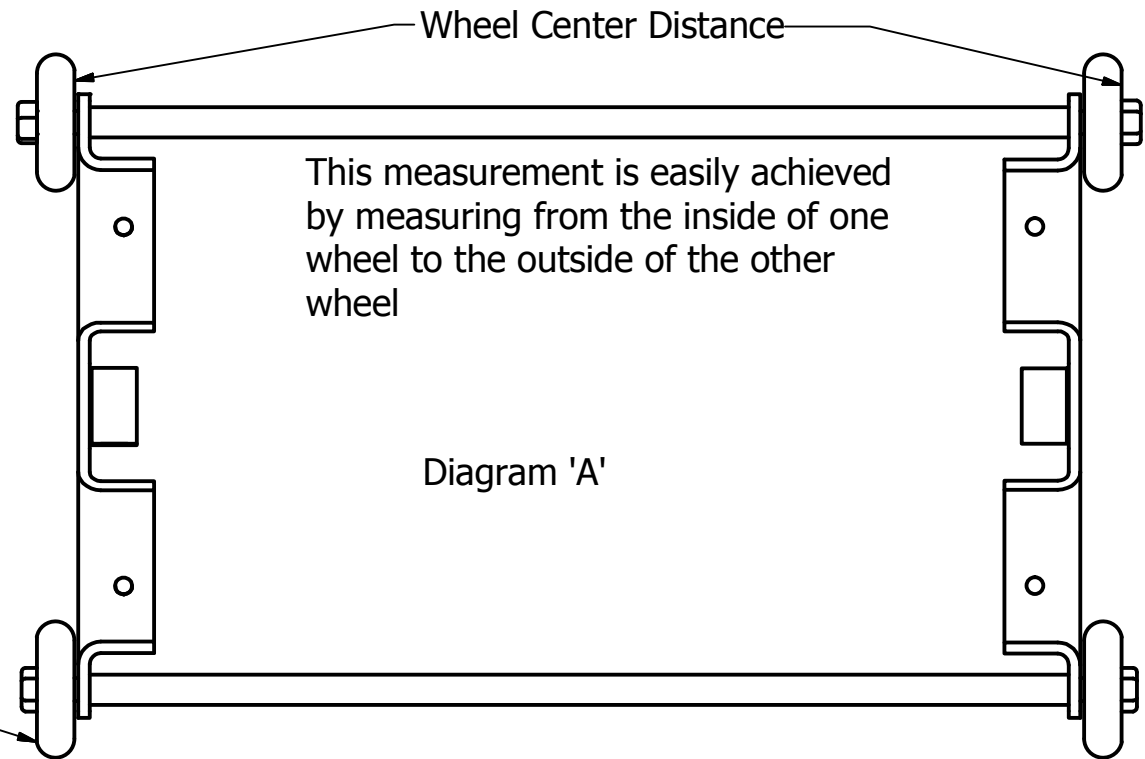
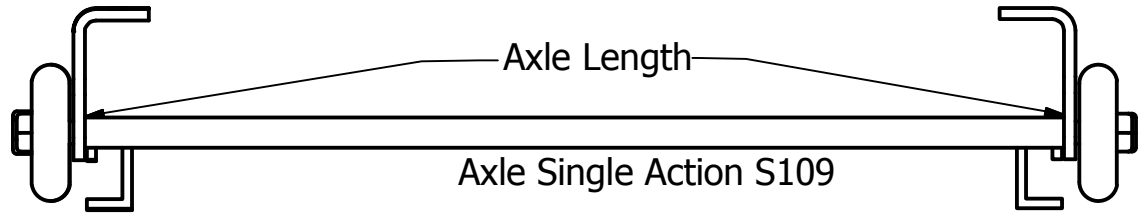


When ordering axles please specify length in mm.
See Diagram below



This measurement is easily achieved by measuring from the inside of one wheel to the outside of the other wheel

Diagram 'A'

How to order a Rowfit Seat

When ordering a new seat you need to specify the wheel centres. See Diagram 'A'
The most common centres are 230,260,280,300.
Rowfit can make wheel centres to suit your requirements.
We can also supply your seat with either a high or low side plates
There is a 10mm difference in height. Most seats are fitted with a low side plate as standard.

Designed by JOHN	Checked by	Approved by	Date	Date 4/08/2011	
Seat Bogie Complete Instructions				Edition	Sheet 1 / 1